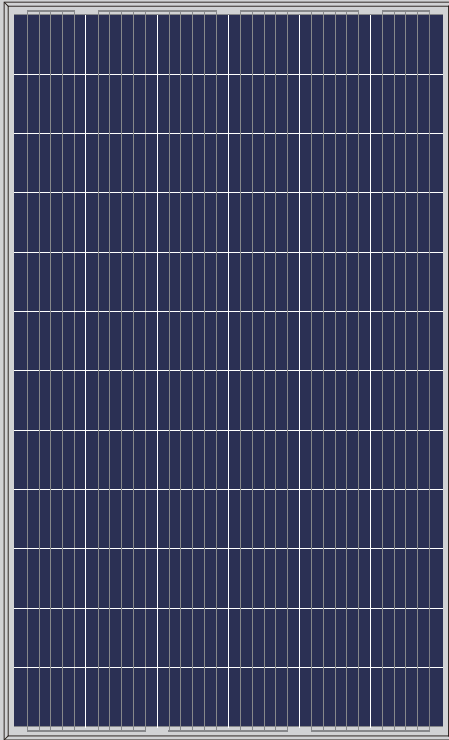


POLYCRYSTALLINE SILICON MODULE



10 year product warranty

25 year power output warranty

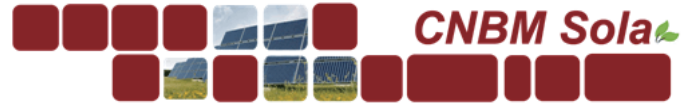
Address: Floor 17-18th, No.4 Building Zhuyu International Commercial. Center, No.9 Shouti South Road, Haidian District, Beijing 100048, China

Tel: +86-10-68796522

Fax: +86-10-68796522

E-mail: sales@cnbmsolar.com

Website: www.cnbmsolar.com



6P-310 6P-315 6P-320 6P-325 6P-330 6P-335 POLYCRYSTALLINE SILICON MODULE

Products Characteristics



Widely using of the most popular and mature type of modules for on-grid system.



Leading manufacturing technology in PV industry, strictly controlling the quality of raw materials and the process of producing



100% EL inspection, ensures modules are defects free.



Cells binned by current to improve module performance



Anti reflective glass. Not only to increase the light absorption, but also to make the module has the function of self-cleaning in water environment, effectively reducing the power loss caused by dust.



Outstanding performance in low-light irradiance environments.



Excellent mechanical load resistance: Certified to withstand high wind loads(2400pa) and snow loads(5400pa).



High salt and ammonia resistance



Positive power tolerance: 0~+5w

Warranty

- 10 year product warranty
- 10 year 90% of Min. rated output power, and 25 year 80% of Min. rated output power warranty

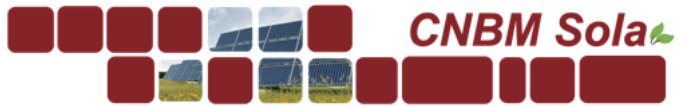
Comprehensive Certificates

- ISO Certificate
- IEC61215、IEC61730 Certificate
- SGS-TUV Certificate
- CE Certificate

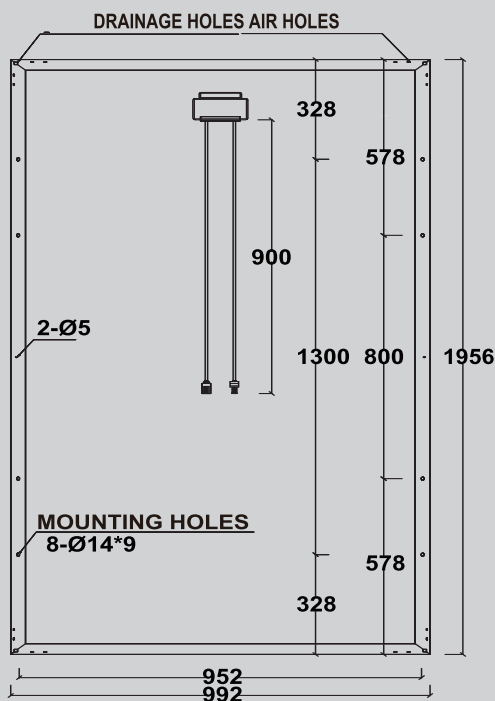
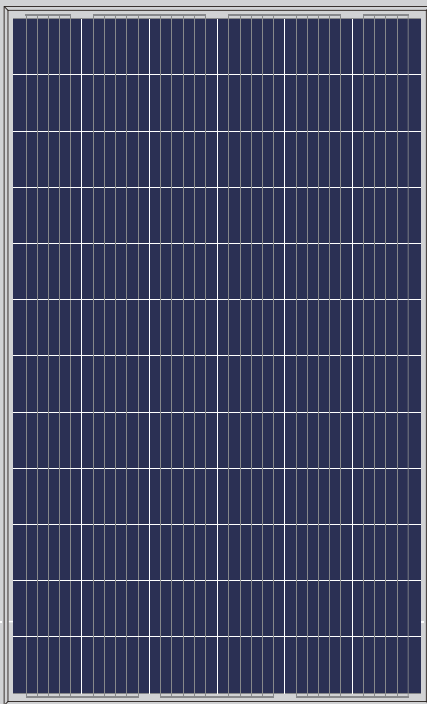
Specifications subject to technology and test conditions,

6P-310 6P-315 6P-320

6P-325 6P-330 6P-335



▼ Engineering Drawings (Front Side)



Address: Floor 17-18th, No.4 Building Zhuyu International Commercial. Center, No.9 Shouti South Road, Haidian District, Beijing 100048, China
 Tel: +86-10-68796522
 Fax: +86-10-68796522
 E-mail: sales@cnbmsolar.com
 Website: www.cnbmsolar.com

Raw Materials and Mechanical Parameters

	6P-310	6P-315	6P-320	6P-325	6P-330	6P-335
Type of Cells(mm)	poly156.75 × 156.75					
NO. of Cells and Connections	6 × 12=72					
Dimensions(mm)(L*W*H)	1956 × 992 × 40					
Weight(kg)	22.8					
Glass	3.2mm Tempered Glass					
Encapsulation	EVA					
Backsheet	Multilayer Composite					
Aluminium-Frame	Silvery/Black Anodized aluminium alloy					
Junction-Box	IP67/IP68					
Cable	4mm ² ,900mm					
Connector	MC4 and MC4 Compatible					
Package Configuration	26pcs/pallet					
40GP	624pcs					
40HQ	672pcs					

Performance Parameters

	6P-310	6P-315	6P-320	6P-325	6P-330	6P-335
Maximum System Voltage	1000V					
Operating Temperature	-45~+80°C					
Maximum Series Fuse	20A					
Maximum Static Load,Front Side (e.x. Snow,Wind)	5400PA					
Maximum Static Load, Back Side(e.x. Wind)	2400PA					
Application Grade	Class A					

Electrical Parameters (Standard Test Condition)

	6P-310	6P-315	6P-320	6P-325	6P-330	6P-335
Rated Maximum Power(Mp)	310W	315W	320W	325W	330W	335W
Power Tolerance	0- + 5W					
Module Efficiency	15.98%	16.23%	16.49%	16.75%	17.01%	17.26%
Open Circuit Voltage(Voc)	46.0V	46.2V	46.5V	46.7V	47.0V	47.2V
Maximum Power Voltage(Vmp)	36.7V	36.9V	37.1V	37.3V	37.5V	37.7V
Short Circuit Current(Isc)	8.95A	9.05A	9.21A	9.33A	9.38A	9.43A
Maximum Power Current(Imp)	8.45A	8.54A	8.72A	8.84A	8.89A	8.95A
Temperature Coefficient of Isc	+0.06%					
Temperature Coefficient of Voc	-0.33%					
Temperature Coefficient of Pmp	-0.45%					
Standard Test Condition	Irradiance:1000W/M2,Cell Temperature:25°C,Spectrum AM:1.5					

The Electrical Parameters of the module are the average theory figure under the standard test condition, each one exists difference. Can not be treated as the basis of module delivery.